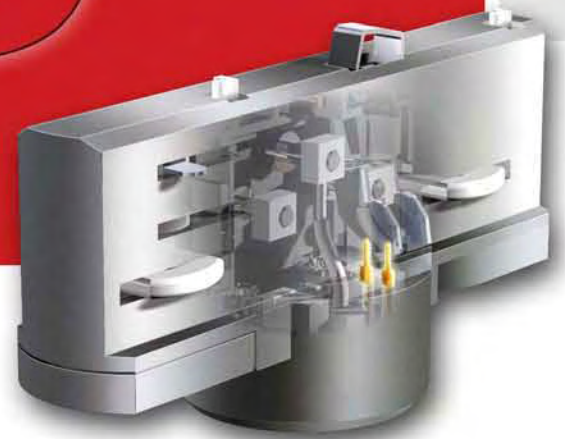


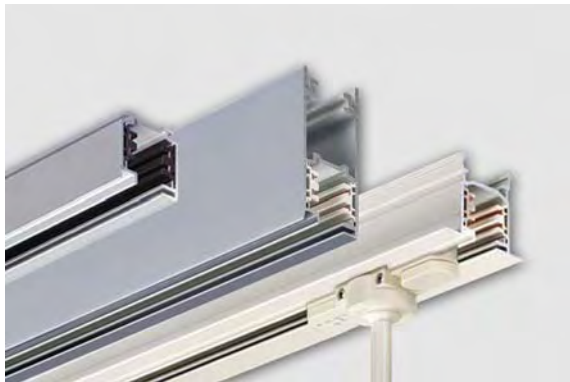
Tracks and Adaptors

220-240V



**Electronic and
System Components**
for innovative Luminaires

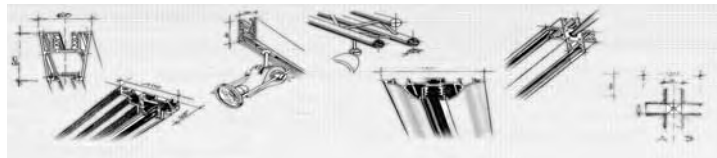
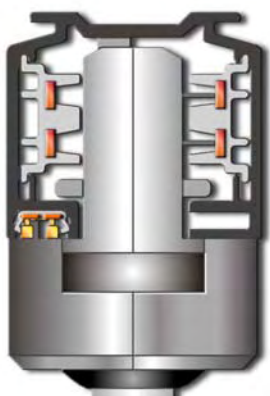
EUTRAC | DALI
the intelligent track™



With the EUTRAC 3 circuit track system in combination with adaptors and monopoints we offer a comprehensive range of components for lighting and power supply which was constructed according to the latest technical criteria.

It offers much flexibility in application because – apart from EUTRAC adaptors – some 3 circuit adaptors of other producers can be applied and vice versa. The products were developed according to standards. The plastic parts of the adaptors consist of self-extinguishing polycarbonate according to UL 94, class V0. All mains contacts are plated with nickel while data bus contacts are gold plated. This surface treatment ensures a reliable transmission and guarantees a long life.

State-of-the-art electronic devices are part of that way of thinking. The entire product range meets EN 60 570 and EN 60 598 and conforms to CE and ENEC 05 and ENEC 10 certificate for approval. For the North American market the 3 circuit track system is UL listed and for the Russian market the articles are listed with GOST approval.



→ We make your ideas work

EUTRAC strives to anticipate future developments in the field of individual supply and control of components and prepare solutions beforehand.

For your individual requirements, please contact us.

Product features

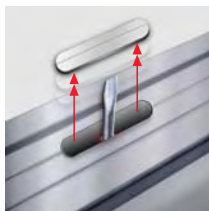
→ Easy to cut on site

Any given profile can be easily cut to length on site. It is not necessary to cut back or bend back the copper wire.



→ Mounting points

The 3 circuit track has pre-punched holes 6 x 25 mm for surface mounting. The holes are spaced 333 mm on center and can be easily pushed out using a screwdriver.



→ Colours and finish

The tracks are available in white (RAL 9010) or black (RAL 9005) powder coated or silver anodised. All system components and adaptors are available in white, black or painted silver. Custom colours are available on request.



- white
- black
- ◇ silver



3~

The 3~track system with full DALI benefits

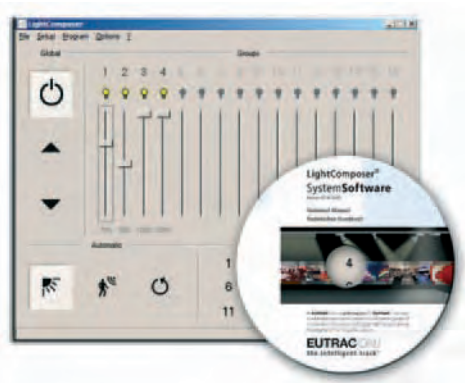
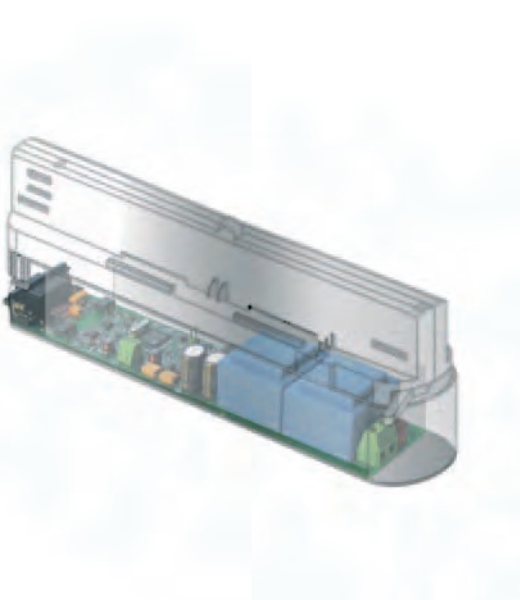
EUTRAC|DALI the intelligent track™



The central element in any **EUTRAC|DALI** system is the **LightComposer®** accommodated in an adaptor housing that can be positioned anywhere along the **EUTRAC track with data bus**. The SetupKit includes the **LightComposer software** on a CD-ROM, a 3m cable for RS232 interface, USB serial adaptor with driver software, the technical manual and the **LightComposer®** itself. The digital light controller communicates and manages all the luminaires and sensors that are adapted to the EUTRAC track via DALI (Digital Adressable Lighting Interface) standard protocol.



The LightComposer software, a special development for **EUTRAC|DALI**, allows intuitive start-up and operation of the system including feedback informations. Options exist to dim and switch luminaires to control light scenes and create interactive actions or special automatic sequences.



Daylight sensor

Interactive

Easy application



Lamp fault indication

Time control



Technical information for the **EUTRAC**|DALI user is available in our programming and installation brochures or can be downloaded as a PDF file at www.eutrac.com
Ordering number: MT 5.706/.



Further technical information for the **EUTRAC** product range is available in our brochure or can be downloaded as a PDF file at www.eutrac.com

EUTRAC|DALI features:

- Maximum load of 3 x 16A
- **Easy installation** of track and adaptors with or without data bus contacts without additional wiring
- **LightComposer[®]**: Light controller in adaptor housing, can be mounted anywhere along the track, or in a housing for mounting in a remote enclosure
- **Individual addressing** of up to 60 luminaires
- Control of up to 16 groups of luminaires and up to 4 lighting sequences with programmable dynamic **light control**
- **Backup and restore function** for use in museums and galleries
- Interactive lighting using **daylight and motion sensors**
- **Individual dimming and switching** of fluorescent lamps, incandescent lamps, LEDs and the switching of high pressure discharge lamps
- **RGB control** of LEDs or fluorescent lamps according to IEC 62386-209 **Colour Control**
- Controlled by push-button, **radio frequency and EIB**
- Clock function in the **LightComposer[®] REG**
- **EUTRAC**|DALI is **EIB certified** and can carry LON[®] and DMX signals as well
- **Easy startup** through PC or infrared operation
- **Lamp fault indication**
- **System backup** of all settings is possible
- **Energy efficient**